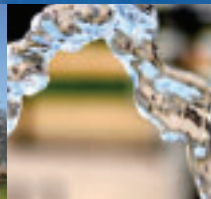


# Plasson PE Ball Valve



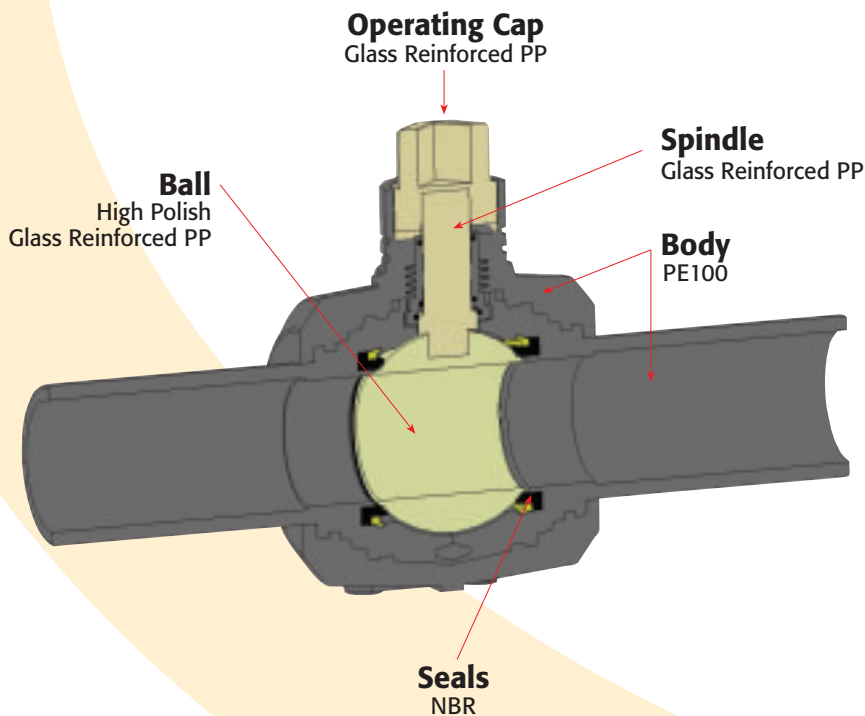
For Gas, Potable Water and  
Industrial PE Pipe Systems



 **PLASSON**®



- Full bore passage
- Fully encapsulated and PE over molded for a completely welded, pure PE, single material system
- Unique, fully injection molded one piece design, making it free from internal cavities and trapped dirt
- 1/4 turn operation with stops, open and closed position indicator
- Flat placements at valve bottom
- Seals NBR, material approved according to EN549 B1/H3
- Very low pressure loss
- Outlets PE100 SDR 11, for use with ElectroFusion or Butt Welding, can also be used with Compression Fittings
- Long spigot outlets making double shot possible
- Traceability barcode available



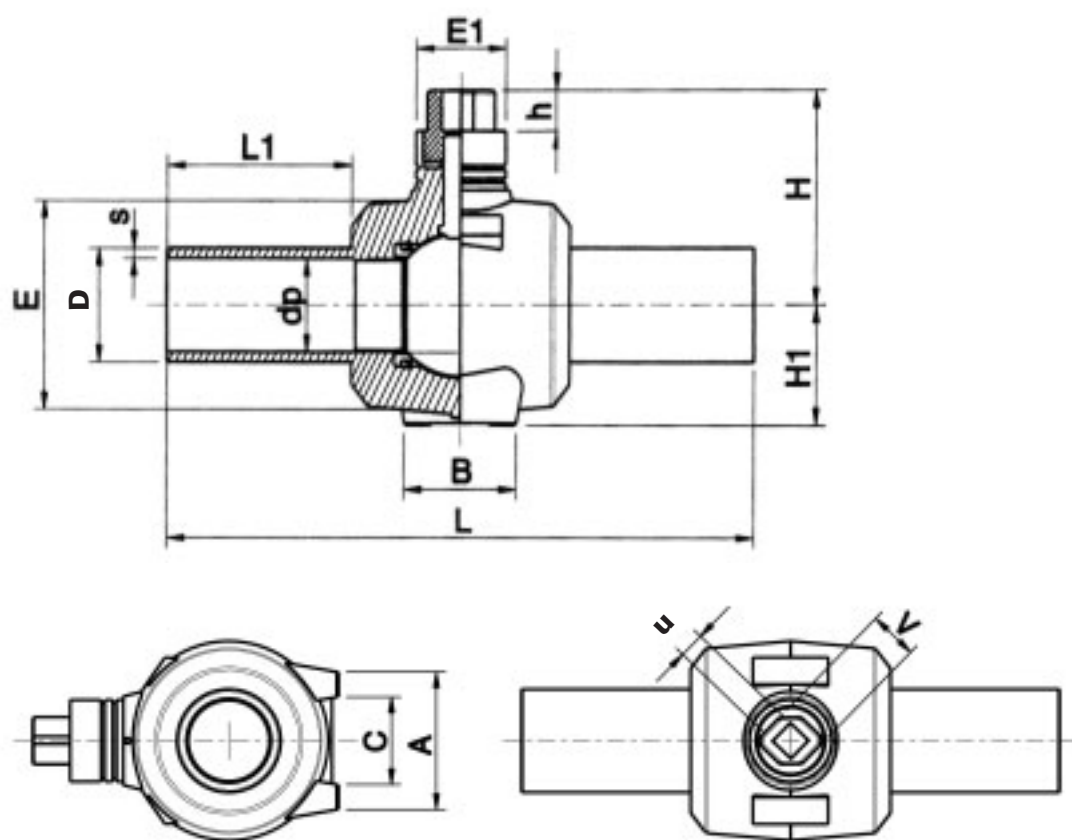
## Pressure Rating

- Gas MOP10
- Water PN16

## Standards

Plasson PE Ball Valves are designed, tested and quality-controlled according to Plasson's internal standards. These standards are based on the following International and European standards:

EN 1555, EN 12201, ISO DIS 10933, NFT 54-067



D	dp	s	L	L1	A	B	C	E	E1	H	H1	h	V	u	W grams	Units per carton
25*	19	3	300	103	60	65	39	80	70	94	50	40	50	26	730	4
32*	24	3.4	300	103	60	65	39	80	70	94	50	40	50	26	730	4
40	24	4.1	300	103	60	65	39	80	70	94	50	40	50	26	770	4
50*	39	5.5	414	130	85	87	54	120	85	160	80	40	50	26	2100	4
63*	48	6	414	130	85	87	54	120	85	160	80	40	50	26	2120	4
75	48	8	414	130	85	87	54	120	85	160	80	40	50	26	2200	4
90*	70	8.2	550	176	146	93	90	200	85	200	110	40	50	26	5600	1
110*	86	10	550	178	146	93	90	200	85	200	110	40	50	26	5700	1
125	86	11.7	550	182	146	93	90	200	85	200	110	40	50	26	5900	1

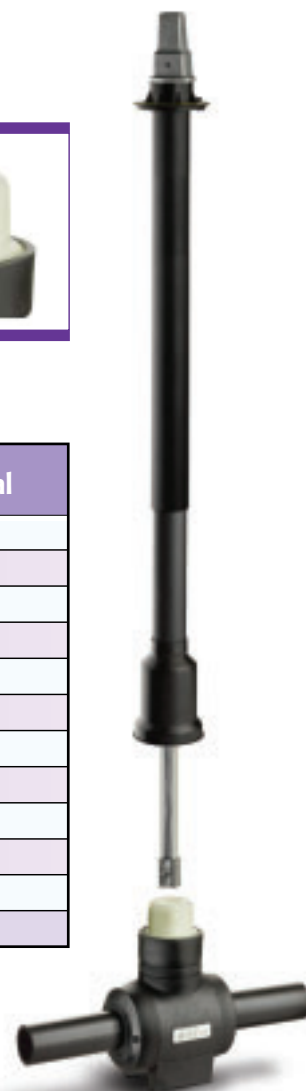
\*Full Bore Dimensions



## Plasson Telescopic Activating Rod

30085/30086

- Telescopic
- Rod available in either Stainless Steel or Galvanized
- Maximum Depth 2.1m



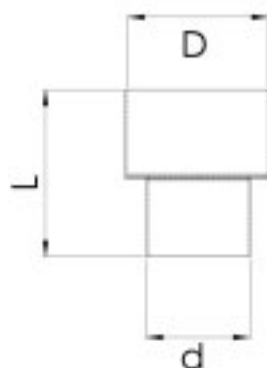
Catalogue Number	Telescopic Height Range (m)	Adaptor Size (mm)	Rod Material
30085	0.6 - 0.9	25-40	Stainless Steel
30085	0.9 - 1.4	25-40	Stainless Steel
30085	1.3 - 2.1	25-40	Stainless Steel
30085	0.6 - 0.9	50-125	Stainless Steel
30085	0.9 - 1.4	50-125	Stainless Steel
30085	1.3 - 2.1	50-125	Stainless Steel
30086	0.6 - 0.9	25-40	Galvanized
30086	0.9 - 1.4	25-40	Galvanized
30086	1.3 - 2.1	25-40	Galvanized
30086	0.6 - 0.9	50-125	Galvanized
30086	0.9 - 1.4	50-125	Galvanized
30086	1.3 - 2.1	50-125	Galvanized

## Plasson Protecting Pipe Adaptor 110

30083

For use with a PVC Protection Pipe

d	D	L
20 - 40	110	120
50 - 125	110	120



**PLASSON**<sup>®</sup>

The World's Most Dependable Fittings



PLASSON Ltd. Maagan Michael D.N. Menashe 37805 Israel, Tel: +972-4-6394711, Fax: +972-4-6390887  
E-mail: sales@plasson.co.il • www.plasson.com